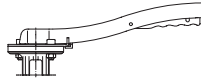
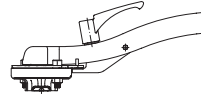


ARI-ZIVA®-Z - Fig. 014 - Free of maintenance wafer pattern butterfly valve - soft sealed - industrial range

ARI-ZIVA®-G - Fig. 015 - Free of maintenance butterfly valve with threaded eyelets - soft sealed - industrial range

ARI-ZIVA®-Z / ARI-ZIVA®-G
 with notch lever


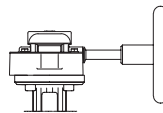
Page 6

ARI-ZIVA®-Z / ARI-ZIVA®-G
 with lock lever


Page 6

ARI-ZIVA®-Z / ARI-ZIVA®-G
 with worm gear

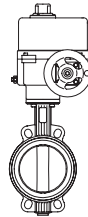
- With variable adjustment
- Self-locking



Page 6

ARI-ZIVA®-Z / ARI-ZIVA®-G
 with electric rotary actuator ARI-OM

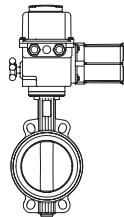
- For short time duty S 2-5 Min.
(Periodic duty S3 30% ED)
- 230V 50Hz, 24V DC, 24V 50Hz
- Enclosure IP 67



Page 7

ARI-ZIVA®-Z / ARI-ZIVA®-G
 with electric rotary actuator Deufra

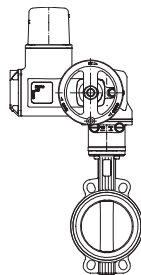
- Type of operation, on/off S4 30%
(for control S4 50%)
- 230V 50Hz (400V 50Hz)
- Enclosure IP 67



Page 8

ARI-ZIVA®-Z / ARI-ZIVA®-G
 with electric rotary actuator Auma

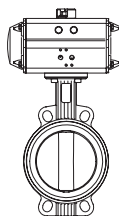
- For short time duty S 2-15 Min.
(for control S4 25%)
- 400V 50Hz (230V 50Hz)
- Enclosure IP 68



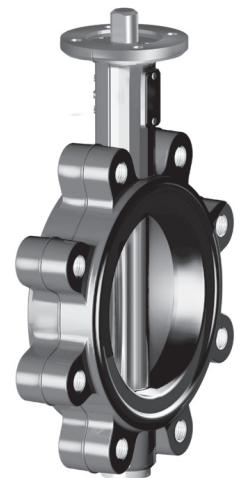
Page 9

ARI-ZIVA®-Z / ARI-ZIVA®-G
 with pneumatic rotary actuator
 AIR-TORQUE / bar

- Function: Double acting
- Function: Single acting, Spring closes on air failure
(opens)
- Actuating pressure 6 bar (=0,6 MPa)



Page 10 / 11


Fig. 014 -
ARI-ZIVA®-Z

Fig. 015 -
ARI-ZIVA®-G
Features:

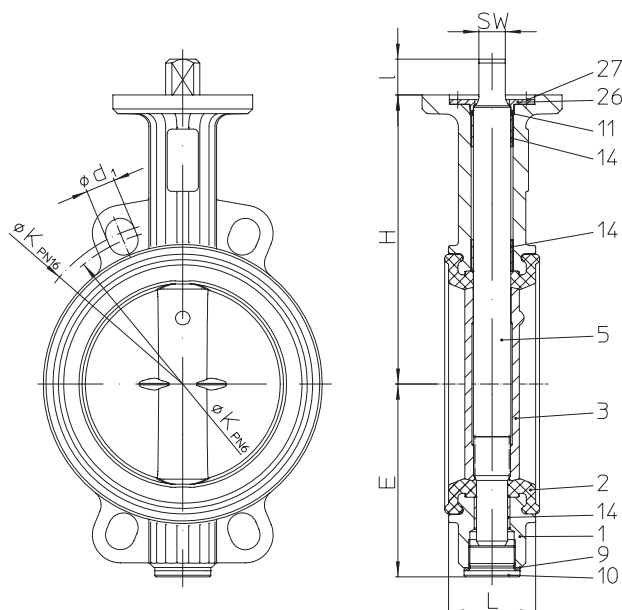
- Soft sealing
- Maintenance-free
- Good flow characteristic due to excellent Zeta-values
- Nodular iron body
- High quality epoxyd coating
- EPDM (W270) / NBR / FPM lining
- Changeable lining, body detachable
- Straight through spindle with 3 supports
- Spindle blow out protection
- Stainless steel disc
- Shaft / Disc connection not in contact with the medium
- Complete insulation possible according to the german „Energy saving order - EnEV“
- Central disc bearing
- Slip on flange DIN EN 1092-1
- EPDM with DIN DVGW Reg. drinking water (NW6201BQ0460)
- NBR-black with DIN DVGW Reg. Gas (NG4313BQ0462)
- NBR-white acc. to Directive for Material and article in contact with food decision

ARI-ZIVA®-Z:

- **Wafer type**

ARI-ZIVA®-G:

- **Lug type**
- As a pipe-end valve
- Pipeline one-side detachable

Butterfly valve with elongated eyelets - industrial range (SG iron)


Constructions	
DN25-65	DN80-100
DN125-150	DN200
DN250-300	DN350
DN400	DN500-600

Figure	Nominal pressure	Material	Nominal diameter	Disc	Stem
20.014	PN6	EN-JS1030 (EN-JS1049 on request)	DN25-600	1.4581	1.4021+QT (optional: 1.4571)
21.014	PN10		DN25-600		
22.014	PN16		DN25-600		

Seat:	
• EPDM -10 °C to +130 °C / NBR-black -10 °C to +80 °C / NBR-white -10 °C to +80 °C / FPM 0 °C to +150 °C (not for hot water useable)	
Max. differential pressure:	
• 16 bar (DN25-150) / 10 bar (DN200-600) / 10 bar (NBR-white DN25-300)	
Actuation arrangement: (refer to page 6-11)	
• Notch lever / Lock lever / Worm gear • Electric actuator (ARI-OM, Deufra, Auma) / Pneumatic actuator (AIR-TORQUE, bar)	
Test:	
Sealing leakage test:	• EN 12266-1 Leakage rate A (DIN 3230 T3 Leakage rate 1)
DVGW-Registration:	• EPDM DN25/32-600 for drinking water. Reg.-No. NW-6201BQ0460 acc. to DIN EN 1074-1/-2 • NBR-black DN25/32-600 for gas. Reg.-No. NG-4313BQ0462 acc. to DIN EN 13774 (Operating range - 10 °C to + 60 °C)
Directive for Material and article in contact with food decision:	• NBR-white DN25-200 (acc. to EG/1935/2004)

Parts			
Pos.	Sp.p.	Description	Fig. 20./21./22.014
1		Body	EN-GJS-400-15, EN-JS1030 (EN-GJS-400-18U-LT, EN-JS1049 on request)
2	x	Seat	EPDM 73 / NBR 73 (black) / NBR 68 (white) / FPM 73
3		Disc	GX5CrNiMoN19-11-2, 1.4581
5		Stem	X20Cr13+QT, 1.4021+QT (optional: X6CrNiMoTi17 12 2, 1.4571)
9	x	Gasket	CU
10	x	Hexagon head screw plug	5.8-A2G
11	x	O-ring	EPDM 73 / NBR 73 / FPM 73
14		Parallel bush	P1
26	x	Washer for shaft protection	X20Cr13+QT, 1.4021+QT
27	x	Countersunk screw	8.8-A2G
L Spare parts			

Information / restriction of technical rules need to be observed!

Operating and installation instructions can be downloaded at www.ari-armaturen.com.

The engineer, designing a system or a plant, is responsible for the selection of the correct valve.

Resistance and fitness must be verified (contact manufacturer for information, refer to Product overview and Resistance list).

DN	25	32	40	50	65	80	100	125	150	200	250	300	350	400	500	600
----	----	----	----	----	----	----	-----	-----	-----	-----	-----	-----	-----	-----	-----	-----

Face-to-face dimension FTF series 20 acc. to DIN EN 558-1																	
L	(mm)	33	33	33	43	46	46	52	56	56	60	68	78	78	102	127	154

Dimensions																	
H	(mm)	117	117	123	129	139	147	168	186	202	236	263	292	358	407	495	555
E	(mm)	58	58	66	69	81	100	109	124	140	167	203	232	257	298	356	418
I	(mm)	19	19	19	19	19	19	19	23	23	23	24	24	24	29	38	48
SW	(mm)	11	11	11	11	11	11	11	17	17	17	22	22	22	27	36	46

Kvs-value / Zeta-value Diagram refer to page 13.																	
Kvs-value	(m ³ /h)	20	24	41	98	190	302	550	930	1525	3000	5000	7300	10260	13140	20750	30430
Zeta-value	--	1,52	2,93	2,42	1,03	0,79	0,72	0,53	0,45	0,35	0,29	0,25	0,24	0,23	0,24	0,23	0,22

Standard-flange dimensions / Hexagon screw (Quantity, Thread, Length)																				
PN6	ØK	(mm)	75	90	100	110	130	150	170	200	225	280	335	395	445	495	600	705		
	n x Ød1	(mm)	4x11	4x14	4x14	4x14	4x14	4x18	4x18	8x18	8x18	8x18	8x18	8x22	8x22	4x22	4x22	8x26		
	Quantity	(pcs.)	4	4	4	4	4	4	4	8	8	8	12	12	12	16	16	8	16	8
	Thread		M10	M12	M12	M12	M12	M16	M16	M16	M16	M16	M16	M20	M20	M20	M20	M20	M24	M24
	Length	(mm)	80	80	80	90	90	100	110	120	120	130	140	160	160	180	220	50	250	70
PN10	ØK	(mm)	85	100	110	125	145	160	180	210	240	295	350	400	460	515	620	725		
	n x Ød1	(mm)	4x18	4x18	4x18	4x18	4x18	4x18	4x18	8x18	8x22	8x22	8x22	8x22	4x22	4x28	4x28	8x36		
	Quantity	(pcs.)	4	4	4	4	4	8	8	8	8	8	12	12	16	16	16	8	16	8
	Thread		M12	M16	M16	M16	M16	M16	M16	M16	M20	M20	M20	M20	M20	M24	M24	M24	M27	M27
	Length	(mm)	90	90	90	100	110	110	120	130	130	140	150	160	160	200	220	50	260	70
PN16	ØK	(mm)	85	100	110	125	145	160	180	210	240	295	355	410	470	525	650	770		
	n x Ød1	(mm)	4x14	4x18	4x18	4x18	4x18	8x18	8x18	8x18	8x22	12x22	12x26	12x26	16x26	16x30	20x33	8x36		
	Quantity	(pcs.)	4	4	4	4	4	8	8	8	8	12	12	12	16	16	16	8	16	8
	Thread		M12	M16	M16	M16	M16	M16	M16	M16	M20	M20	M24	M24	M24	M27	M30	M30	M33	M33
	Length	(mm)	90	90	90	100	110	110	120	130	130	140	160	170	180	220	260	70	320	90

Weights																	
Fig. 20./21./22.014	(kg)	1,3	1,3	1,6	2,2	2,7	3,4	4,4	6,4	7,9	11,8	21	30,4	46,8	72	132,8	217,3

Mounting variations	
	<p>ZIVA®-Z-Wafer-type-valve Welding neck flanges PN 6 / PN 10 / PN 16 DIN EN 1092-1 / 11 / B1 Hexagon screw DIN EN ISO 4016 W.-No. 4.6 Hexagon nut DIN EN ISO 4034 W.-No. 5</p> <p style="text-align: right;">The installation between, to above deviating flanges, is not or under special care possible. Please consult us.</p>

Pressure-temperature-ratings Intermediate values for max. permissible operational pressures can be determined by linear interpolation of the given temperature / pressure chart.

acc. to DIN EN 1092-2	PN		-20°C to <-10°C	-10°C to 120°C	130°C	150°C
EN-JS1030	16	(bar)	--	16	15,8	15,5
EN-JS1049	16	(bar)	16	16	15,8	15,5

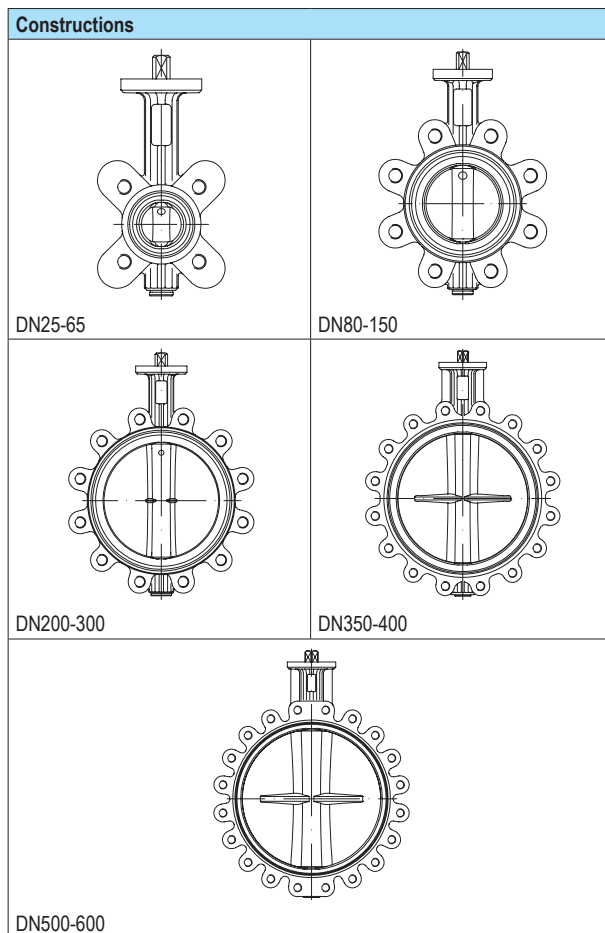
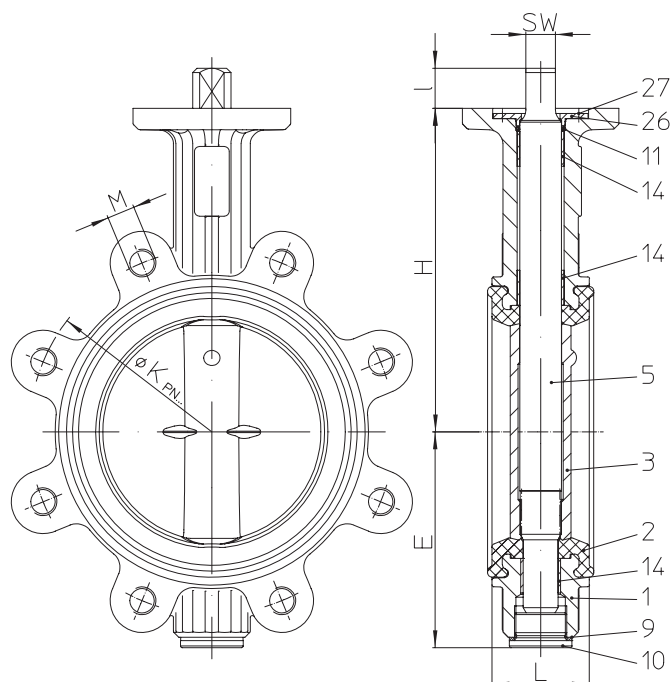
Butterfly valve with threaded eyelets - industrial range (SG iron)


Figure	Nominal pressure	Material	Nominal diameter	Disc	Stem
21.015	PN10	EN-JS1030	DN25-600	1.4581	1.4021+QT (optional: 1.4571)
22.015	PN16	(EN-JS1049 on request)	DN25-600		

Seat:	
• EPDM -10 °C to +130 °C / NBR-black -10 °C to +80 °C / NBR-white -10 °C to +80 °C / FPM 0 °C to +150 °C (not for hot water useable)	
Max. differential pressure:	
• 16 bar (DN25-150) / 10 bar (DN200-600) / 10 bar (NBR-white DN25-200)	
Actuation arrangement: (refer to page 6-11)	
• Notch lever / Lock lever / Worm gear • Electric actuator (ARI-OM, Deufra, Auma) / Pneumatic actuator (AIR-TORQUE, bar)	
Test:	
Sealing leakage test:	• EN 12266-1 Leakage rate A (DIN 3230 T3 Leakage rate 1)
DVGW-Registration:	• EPDM DN25/32-600 for drinking water. Reg.-No. NW-6201BQ0460 acc. to DIN EN 1074-1/-2 • NBR-black DN25/32-600 for gas. Reg.-No. NG-4313BQ0462 acc. to DIN EN 13774 (Operating range - 10 °C to + 60 °C)
Directive for Material and article in contact with food decision:	• NBR-white DN25-200 (acc. to EG/1935/2004)

Parts			
Pos.	Sp.p.	Description	Fig. 20./21./22.014
1		Body	EN-GJS-400-15, EN-JS1030 (EN-GJS-400-18U-LT, EN-JS1049 on request)
2	x	Seat	EPDM 73 / NBR 73 (black) / NBR 68 (white) / FPM 73
3		Disc	GX5CrNiMoN19-11-2, 1.4581
5		Stem	X20Cr13+QT, 1.4021+QT (optional: X6CrNiMoTi17 12 2, 1.4571)
9	x	Gasket	CU
10	x	Hexagon head screw plug	5.8-A2G
11	x	O-ring	EPDM 73 / NBR 73 / FPM 73
14		Parallel bush	P1
26	x	Washer for shaft protection	X20Cr13+QT, 1.4021+QT
27	x	Countersunk screw	8.8-A2G
L Spare parts			

Information / restriction of technical rules need to be observed!

Operating and installation instructions can be downloaded at www.ari-armaturen.com.

The engineer, designing a system or a plant, is responsible for the selection of the correct valve.

Resistance and fitness must be verified (contact manufacturer for information, refer to Product overview and Resistance list).

DN	25	32	40	50	65	80	100	125	150	200	250	300	350	400	500	600
----	----	----	----	----	----	----	-----	-----	-----	-----	-----	-----	-----	-----	-----	-----

Face-to-face dimension FTF series 20 acc. to DIN EN 558-1																	
L	(mm)	33	33	33	43	46	46	52	56	56	60	68	78	78	102	127	154

Dimensions																	
H	(mm)	117	117	123	129	139	147	168	186	202	236	263	292	358	407	495	555
E	(mm)	58	58	66	69	81	100	109	124	140	167	203	232	257	298	356	418
I	(mm)	19	19	19	19	19	19	19	23	23	23	24	24	24	29	38	48
SW	(mm)	11	11	11	11	11	11	11	17	17	17	22	22	22	27	36	46

Kvs-value / Zeta-value Diagram refer to page 13.																	
Kvs-value	(m ³ /h)	20	24	41	98	190	302	550	930	1525	3000	5000	7300	10260	13140	20750	30430
Zeta-value	--	1,52	2,93	2,42	1,03	0,79	0,72	0,53	0,45	0,35	0,29	0,25	0,24	0,23	0,24	0,23	0,22

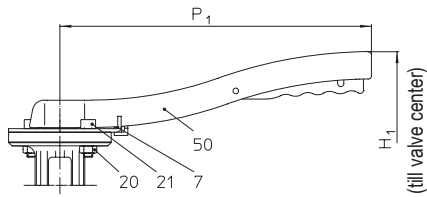
Standard-flange dimensions / Hexagon screw (Quantity, Thread, Length)																				
PN10	ØK	(mm)	85	100	110	125	145	160	180	210	240	295	350	400	460	515	620	725		
	n x M	(mm)	4xM12	4xM16	4xM16	4xM16	4xM16	8xM16	8xM16	8xM16	8xM20	8xM20	12xM20	12xM20	16xM20	16xM24	20xM24	20x27		
	Quantity	(pcs.)	8	8	8	8	8	16	16	16	16	16	24	24	32	32	32	8	32	8
	Thread		M12	M16	M16	M16	M16	M16	M16	M16	M20	M20	M20	M20	M20	M24	M24	M24	M27	M27
	Length	(mm)	30	30	30	35	35	40	40	45	45	50	55	55	60	70	85	50	100	70
PN16	ØK	(mm)	85	100	110	125	145	160	180	210	240	295	355	410	470	525	650	770		
	n x M	(mm)	4xM12	4xM16	4xM16	4xM16	4xM16	8xM16	8xM16	8xM16	8xM20	12xM20	12xM24	12xM24	16xM24	16xM27	20xM30	20xM33		
	Quantity	(pcs.)	8	8	8	8	8	16	16	16	16	24	24	24	32	32	32	8	32	8
	Thread		M12	M16	M16	M16	M16	M16	M16	M16	M20	M20	M24	M24	M24	M27	M30	M30	M33	M33
	Length	(mm)	30	30	30	35	35	40	40	45	45	50	55	60	60	75	100	70	120	90

Weights																	
Fig. 21./22.015	(kg)	1,8	1,8	2	2,7	3,2	4,8	6,2	8,6	10,5	15,8	26,6	37,6	60	93,4	175,7	286,5

Mounting variations		
		<p>When used on end of line applications, a safety precaution (blind flange, etc.) is recommended.</p> <p>To ensure the seat tightness, a blind or counter flange is necessary.</p> <p>The installation between deviating flanges is not or only under special care possible. Please consult us.</p> <p>For all installation, modification or maintenance work, please observe regulations in force and the ARI-operating instructions.</p>
<p>ZIVA®-G-Wafer-type-valve Welding neck flanges PN 10 / PN 16 DIN EN 1092-1 / 11 / B1 Hexagon screw DIN EN ISO 4016 W.-No. 4.6</p>	<p>ZIVA®-G-Pipe-end-valve Welding neck flanges PN 10 / PN 16 DIN EN 1092-1 / 11 / B1 Hexagon screw DIN EN ISO 4016 W.-No. 4.6</p>	

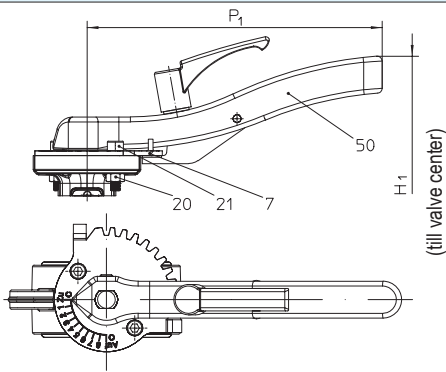
Pressure-temperature-ratings Intermediate values for max. permissible operational pressures can be determined by linear interpolation of the given temperature / pressure chart.

acc. to DIN EN 1092-2	PN		-20°C to <-10°C	-10°C to 120°C	130°C	150°C
EN-JS1030	16	(bar)	--	16	15,8	15,5
EN-JS1049	16	(bar)	16	16	15,8	15,5

ARI-ZIVA®-Z / ARI-ZIVA®-G with manual actuation arrangement
Notch lever


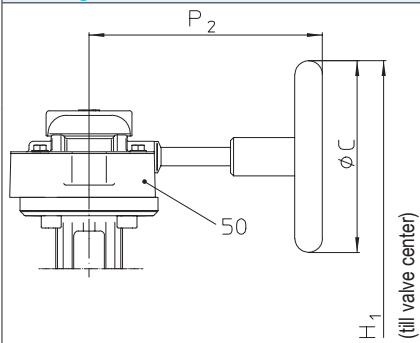
For diameters larger than DN 125 we recommend using a gear mechanism. Gear recommended for inaccessible installation (see below).

Note:
If seat is of NBR-white, from DN125 upwards a gear is necessary!

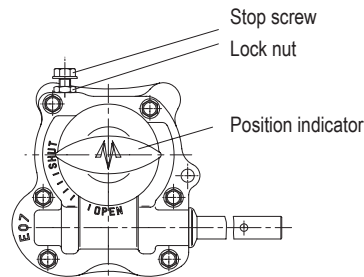
Lock lever


- Cap convertible for lock lever
- Variable adjustment (with 0 - 90° angle positioning) (With variable adjustment)

For diameters larger than DN 125 we recommend using a gear mechanism. Gear recommended for inaccessible installation (see below).

Worm gear


- With variable adjustment
- Self-locking



The SHUT-position can be adjusted to $\pm 5^\circ$ by a locking screw.

Parts		Fig. 20./21./22.014; 21./22.015																
Pos.	Sp.p.	Description																
7	x	Lever cap	S235JR, 1.0037 (KTL-coating)															
20	x	Hexagon nut	5-A2B															
21	x	Cheese head screw	8.8-A2B															
50		Notch lever	EN-GJS-400-15, EN-JS1030 (KTL-coating)															
50		Lock lever	DC01, 1.0330 (surface treatment)															
50		Worm gear																
		L Spare parts																

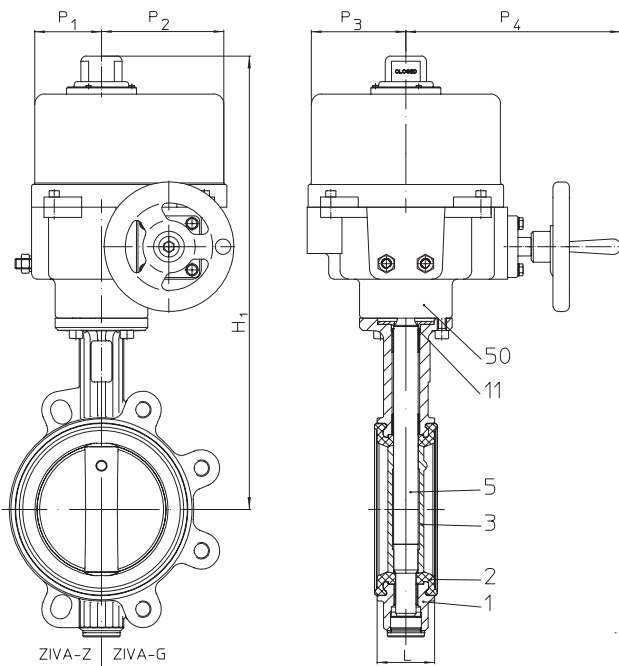
DN	25	32	40	50	65	80	100	125	150	200	250	300	350	400	500	600
----	----	----	----	----	----	----	-----	-----	-----	-----	-----	-----	-----	-----	-----	-----

Dimensions

		(mm)	180	180	186	192	202	210	231	257	273	307	--	--	--	--	--	
H1	with lever	(mm)	180	180	186	192	202	210	231	257	273	307	--	--	--	--	--	
	with gear	(mm)	206	206	212	218	228	236	257	275	291	325	418	447	513	603	774	834
P1		(mm)	184	184	184	184	184	184	184	273	273	273	--	--	--	--	--	--
P2		(mm)	152	152	152	152	152	152	152	152	152	152	278	278	278	320	331	331
ØC		(mm)	125	125	125	125	125	125	125	125	125	125	250	250	250	315	457	457
Type of gear			SE07	SE07	SE07	SE07	SE07	SE07	SE07	SE07	SE07	SE07	SE10	SE10	SE10	SE12	M15	M15

Weights

		(kg)	2	2	2,4	2,9	3,5	4,1	5,1	7,7	9,2	13,1	--	--	--	--	--	--
ZIVA®-Z	with lever	(kg)	2	2	2,4	2,9	3,5	4,1	5,1	7,7	9,2	13,1	--	--	--	--	--	--
ZIVA®-G		(kg)	2,6	2,5	2,7	3,5	4,1	5,6	6,9	9,9	11,8	17,1	--	--	--	--	--	--
ZIVA®-Z	with gear	(kg)	3,2	3,2	3,5	4,1	4,6	5,3	6,3	8,3	9,8	13,7	26	35,4	51,8	80,5	164	248
ZIVA®-G		(kg)	3,7	3,7	3,9	4,6	5,2	6,8	8,1	10,5	12,4	17,7	31,6	42,6	65	102	207	317

Butterfly valve with electric rotary actuator


Type: ARI-OM
<ul style="list-style-type: none"> • For short time duty S 2-5 Min. (Periodic duty S3 30% duty cycle, max. 60 c/h, max. modulating torque = ca. 50% rated torque) • Enclosure IP 67 • Temperature guard in the motor
Voltages:
<ul style="list-style-type: none"> • 230V 50Hz • 24V DC • 24V 50Hz (Other voltages on request)
Accessories:
<ul style="list-style-type: none"> • Potentiometer (1000 Ohm) • Positioner 4-20 mA • Position-transmitter 4-20 mA • Heating • Travel switch

For connection refer to terminal connection in the operating instructions of the actuator !

Seat: EPDM / NBR-black / FPM											
DN	25	32	40	50	65	80	100	125	150	200	

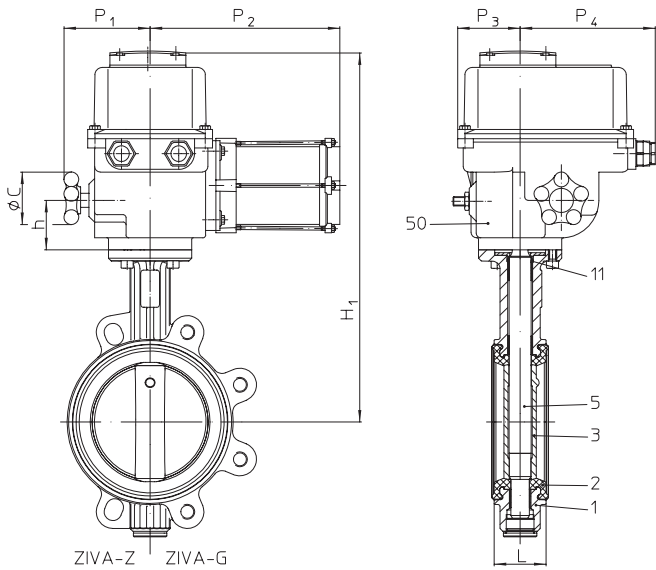
Actuator											
Type of actuator	OM-1						OM-A	OM-2	OM-3		
Operating time (s)	13						24	17	26		

Dimensions											
H1	(mm)	267	267	273	279	289	297	368	441	457	491
P1	(mm)	35	35	35	35	35	35	54	82	82	82
P2	(mm)	80	80	80	80	80	80	54	118	118	118
P3	(mm)	54	54	54	54	54	54	54	100	100	100
P4	(mm)	54	54	54	54	54	54	54	230	230	230

Weights											
ZIVA®-Z	(kg)	3,3	3,3	3,6	4,2	4,7	5,4	7,4	15,4	16,9	20,8
ZIVA®-G	(kg)	3,8	3,8	4,0	4,7	5,3	6,8	9,2	17,6	19,5	24,8

Seat NBR-white on request.

Operating and installation instructions can be downloaded at www.ari-armaturen.com.

Butterfly valve with electric rotary actuator

Type: Deufra

- Type of operation on/off S4 30% (optional: for control S4 50%)
- Enclosure IP 67
- Temperature guard in the motor
- Heating

Voltages:

- 230V 50Hz
 - 400V 50Hz (nicht bei OA3)
- Other voltages on request

Accessories:

- Travel switch
- Potentiometer
- Valve positioner 0-10V / 4-20mA
- Position-transmitter

Special actuators:

- Reset to start on failure Type FQ

For connection refer to terminal connection in the operating instructions of the actuator !

Seat: EPDM / NBR-black / FPM

DN	25	32	40	50	65	80	100	125	150	200	250	300	350	400	500	600
----	----	----	----	----	----	----	-----	-----	-----	-----	-----	-----	-----	-----	-----	-----

Actuator

Type of actuator		OA3	OA6	OA8	OA15	AS25	AS50	BS100	AS200
Operating time	(s)	6	6	6	15	10	30	30	70

Dimensions

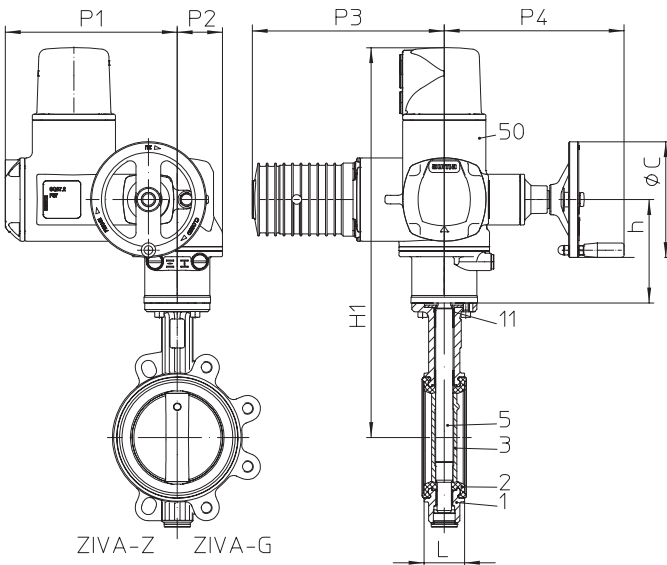
	(mm)	341	341	347	353	363	371	392	410	426	460	443	517	583	618	706	836
H1	(mm)	53	53	53	53	53	53	53	53	53	53	100	100	100	86	86	70
h	(mm)	60	60	60	60	60	60	60	60	60	100	160	250	250	250	250	300
ØC	(mm)	90	90	90	90	90	90	90	90	90	98	167	169	169	172	172	475
P1	(mm)	160	160	160	160	160	160	202	202	202	260	312	340	340	392	392	188
P2	(mm)	65	65	65	65	65	65	65	65	65	65	89	89	89	133	133	130
P3	(mm)	125	125	125	125	125	125	125	125	125	125	226	226	226	284	284	333
P4	(mm)																

Weights

ZIVA®-Z	(kg)	7,3	7,3	7,6	8,2	8,7	9,4	10,4	13,4	14,9	19,8	41	49,4	65,8	101	161,8	287,2
ZIVA®-G	(kg)	7,8	7,8	8	8,7	9,3	10,9	12,2	15,6	17,5	23,8	46,6	56,6	79	122,4	204,7	356,2

Seat NBR-white on request.

Operating and installation instructions can be downloaded at www.ari-armaturen.com.

Butterfly valve with electric rotary actuator


Type: Auma
<ul style="list-style-type: none"> • For short time duty S 2-15 Min. (for control S4 25%) • Enclosure IP 68 • Temperature guard in the motor • Heating
Voltages:
<ul style="list-style-type: none"> • 400V 50Hz • 230V 50Hz (Other voltages on request)
Accessories:
<ul style="list-style-type: none"> • Travel switch • Potentiometer • Auma Matic • Valve positioner 0-10V / 4-20mA • Position-transmitter

For connection refer to terminal connection in the operating instructions of the actuator !

Seat: EPDM / NBR-black / FPM																	
DN	25	32	40	50	65	80	100	125	150	200	250	300	350	400	500	600	

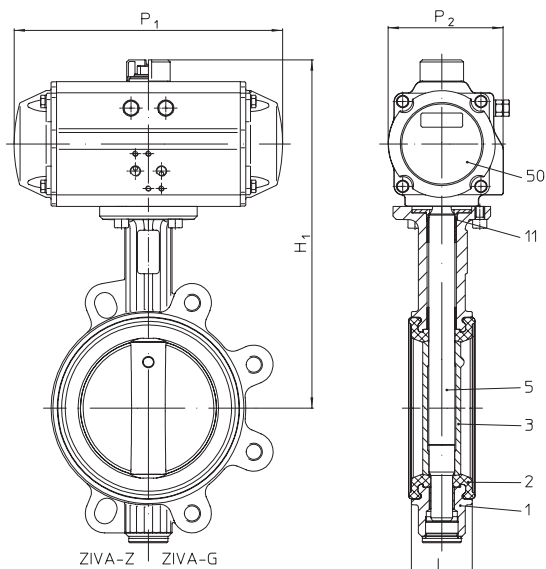
Actuator																	
Type of actuator	SQ05.2											SQ07.2	SQ10.2	SQ12.2	SA07.5 +VZ+SG		
Operating time (s)	16											16	16	32	69		

Dimensions																	
H1	(mm)	461	461	467	473	483	491	512	530	546	580	633	653	719	832	920	867
h	(mm)	134	134	134	134	134	134	134	134	134	134	134	151	151	215	215	115
ØC	(mm)	160	160	160	160	160	160	160	160	160	160	160	200	200	200	200	160
P1	(mm)	238	238	238	238	238	238	238	238	238	238	238	248	248	248	248	194
P2	(mm)	62,5	62,5	62,5	62,5	62,5	62,5	62,5	62,5	62,5	62,5	62,5	80	80	104	104	537
P3	(mm)	265	265	265	265	265	265	265	265	265	265	265	265	265	265	265	139
P4	(mm)	249	249	249	249	249	249	249	249	249	249	249	254	254	254	254	374

Weights																	
ZIVA®-Z	(kg)	24,3	24,3	24,6	25,2	25,7	26,4	27,4	29,4	30,9	34,8	44,5	57,4	73,8	104	164,8	286,7
ZIVA®-G	(kg)	24,8	24,8	25	25,7	26,2	27,8	29,2	31,6	33,5	38,8	50,1	64,6	87	125,4	207,7	356

Seat NBR-white on request.

Operating and installation instructions can be downloaded at www.ari-armaturen.com.

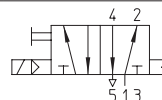
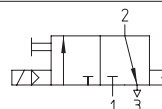
Butterfly valve with pneumatic rotary actuator

Type: AIR TORQUE

- Function: double acting
single acting, Spring closes on air failure (opens)
- Actuating pressure 6 bar (=0,6 MPa)
- Position indicator

Accessories:

- Limit switch open / close
- Solenoid valve
- Exhaust silencer with throttling function
- Valve positioner

Other actuating pressures on request

Solenoid valve:
 for control of double acting actuators

5/2 - way
Solenoid valve:
 for control of single acting actuators

3/2 - way
For connection refer to terminal connection in the operating instructions of the actuator !
Seat: EPDM / NBR-black / FPM

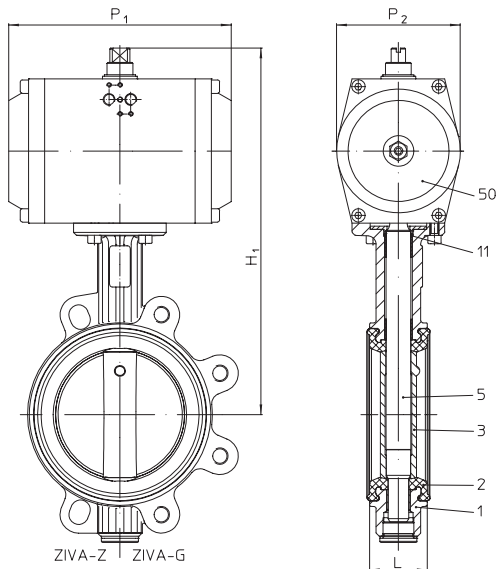
DN	25	32	40	50	65	80	100	125	150	200	250	300	350	400	500	600
----	----	----	----	----	----	----	-----	-----	-----	-----	-----	-----	-----	-----	-----	-----

		Actuator																
		DR30								DR60	DR100	DR150	DR220	DR450	DR600	DR1200	DR3000	
double acting	Type of actuator																	
	Dimensions																	
	H1	(mm)	222	222	228	234	244	252	290	321	337	383	438	499	565	625	782	935
	P1	(mm)	159	159	159	159	159	159	211	248	248	269	315	409	409	438	543	728
	P2	(mm)	83	83	83	83	83	83	95	106	106	123	141	172	172	187	222	329
		Weights																
	ZIVA®-Z	(kg)	2,9	2,9	3,2	3,8	4,3	5	7	10,2	11,7	17,2	29,4	44,9	61,3	91,8	186,3	300,2
	ZIVA®-Z	(kg)	3,4	3,4	3,6	4,3	4,9	6,5	8,9	12,4	14,3	21,2	35	52	74,5	113,2	211,2	369,5

		Actuator															
		30SC6			60SC6	100SC6	150SC6	220SC6	300SC6	450SC6	600SC6	1200 SC6	2000 SC6	3000 SC6			
single acting	Type of actuator (closes)																
	Type of actuator (opens)	30SO5			60SO5	100SO5	150SO5	220SO5	450SO5	900SO5	1200 SO5	2000 SO5	--				
	Dimensions																
	H1	(mm)	222	222	228	234	261	282	315	361	389	443	490	587	653	756	867
	P1	(mm)	159	159	159	159	211	248	269	315	345	409	438	543	543	621	684
	P2	(mm)	83	83	83	83	95	106	123	141	152	172	187	222	222	262	330
		Weights															
	ZIVA®-Z	(kg)	3	3	3,3	3,9	5,9	7,8	10,9	16,2	20,5	29,9	45	75,5	91,9	136,2	235
	ZIVA®-Z	(kg)	3,5	3,5	3,7	4,2	6,5	9,3	12,7	18,4	23,1	33,9	50,6	82,7	105,1	157,6	277,9

Seat NBR-white on request.

 Operating and installation instructions can be downloaded at www.ari-armaturen.com.

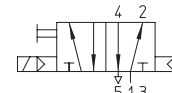
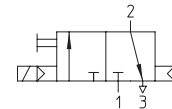
Butterfly valve with pneumatic rotary actuator

Type: bar

- Function: double acting
single acting, Spring closes on air failure (opens)
- Actuating pressure 6 bar (=0,6 MPa)

Accessories:

- Limit switch open / close
- Solenoid valve
- Exhaust silencer with throttling function
- Position indicator
- Valve positioner

Other actuating pressures on request

Solenoid valve:
 for control of double acting actuators
5/2 - way

Solenoid valve:
 for control of single acting actuators
3/2 - way

For connection refer to terminal connection in the operating instructions of the actuator !
Seat: EPDM / NBR-black / FPM

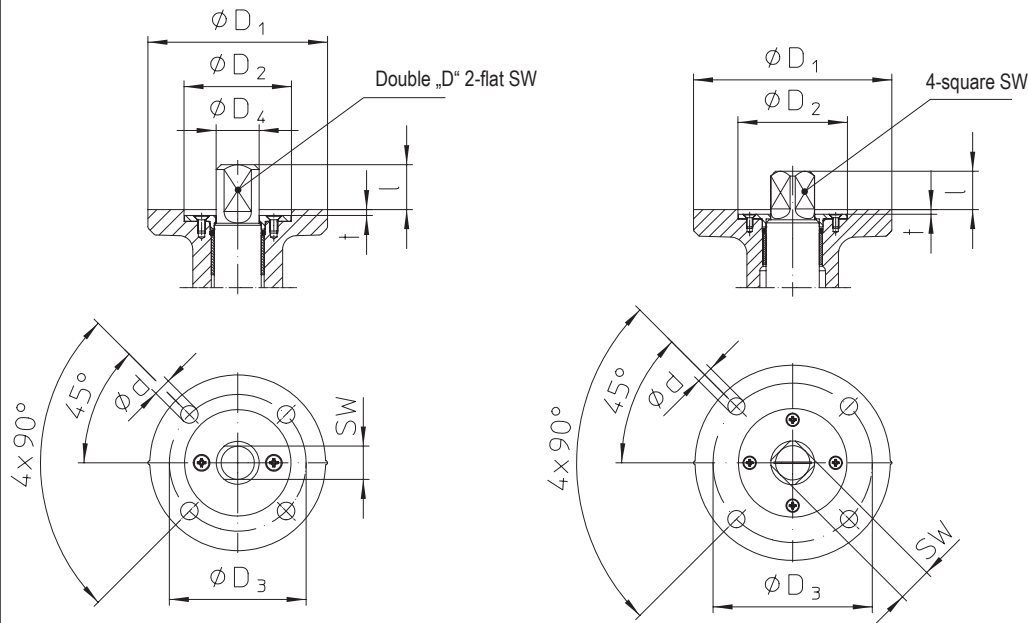
DN	25	32	40	50	65	80	100	125	150	200	250	300	350	400	500	600
----	----	----	----	----	----	----	-----	-----	-----	-----	-----	-----	-----	-----	-----	-----

double acting	Actuator																	
	Type of actuator	GTD 58/90					GTD 68/90	GTD 98/90	GTD 110/90	GTD 115/90	GTD 143/90	GTD 163/90	GTD 210/90	GTD 254/90				
	Dimensions																	
	H1	(mm)	221	221	227	233	243	265	286	333	349	406	433	520	586	635	780	887
	P1	(mm)	127	127	127	127	127	140	140	209	209	222	292	337	337	377	462	683
	P2	(mm)	72	72	72	72	72	82	82	108	108	120	120	172	172	172	224	272
Weights																		
ZIVA®-Z	(kg)	2,2	2,2	2,5	3	3,6	4,9	5,8	9,8	11,3	17	28,1	44,8	61,2	88,4	164,6	286,4	
ZIVA®-Z	(kg)	2,7	2,7	2,9	3,6	4,2	6,3	7,6	12	13,9	21	33,7	52	74,4	109,8	207,5	355,7	

single acting	Actuator																	
	Type of actuator (closes)	GTE 68/90			GTE 78/90	GTE 88/90	GTE 98/90	GTE 110/90	GTE 115/90	GTE 127/90	GTE 143/90	GTE 210/90	GTE 250/90					
	Type of actuator (opens)	GTE 68/90			GTE 78/90	GTE 88/90	GTE 110/90		GTE 115/90	GTE 127/90	GTE 143/90	GTE 210/90	GTE 250/90					
	Dimensions																	
	H1	(mm)	235	235	241	247	269	285	338	356	372	426	491	577	643	739	827	--
	P1	(mm)	140	140	140	140	161	182	222	222	292	298	337	462	462	603	603	--
P2	(mm)	82	82	82	82	94	100	120	120	120	137	172	224	224	272	272	--	
Weights																		
ZIVA®-Z	(kg)	2,9	2,9	3,2	3,8	5,2	6,4	8,4	12,6	16,3	22,5	39	70	86,4	142,6	203,4	--	
ZIVA®-Z	(kg)	3,5	3,4	3,6	4,3	5,8	7,8	10,2	14,8	18,8	26,5	44,7	77,2	99,6	164	246,3	--	

Seat NBR-white on request.

 Operating and installation instructions can be downloaded at www.ari-armaturen.com.

Actuator flange connection

DN25-200
DN250-500

DN		25	32	40	50	65	80	100	125	150	200	250	300	350	400	500	600
Connection EN ISO 5211		F 05				F 07				F 10			F 14		F 16		
Double „D“ 2-flat SW	(mm)	11 _{d11}				17 _{d11}				--			--		--		
4-square SW	(mm)	--				--				22 _{d11}			27 _{d11}	36 _{d11}	46 _{d11}		
Ød	(mm)	7				9				11			18		22		
ØD1	(mm)	65				90				125			175		210		
ØD2	(mm)	35				55				70			100		130		
ØD3	(mm)	50				70				102			140		165		
ØD4	(mm)	14				22				--			--		--		
l	(mm)	19				23				24			29	38	48		
t	(mm)	3				3				3			4		5		

Please indicate when ordering:

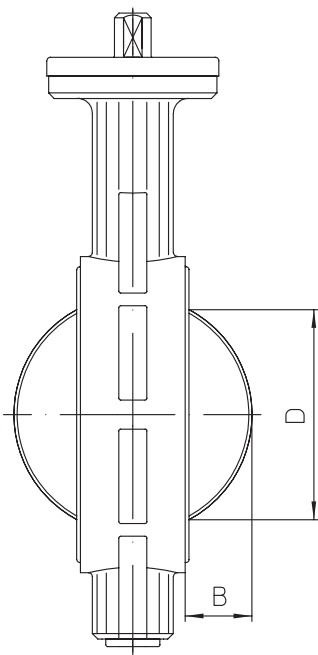
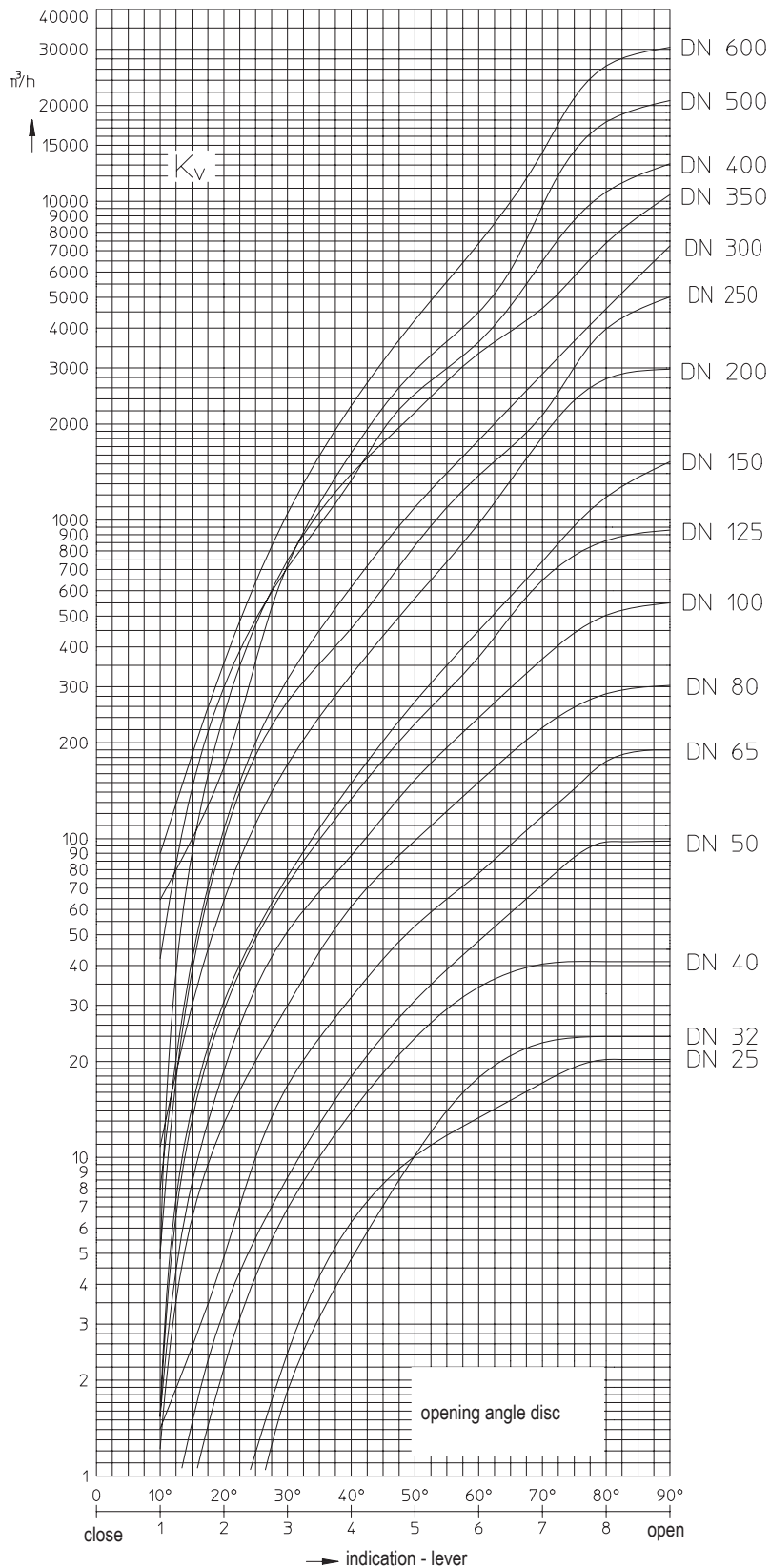
- Figure-No.
- Nominal pressure
- Nominal diameter
- Soft seal seat material
- Stem / disc material
- Actuation arrangement
- Special design / accessories

Please indicate in your order, if the valves are to be installed in hazardous areas (ATEX).

Example:

Figure 22.012; Nominal pressure PN16; Nominal diameter DN100; Seat aus EPDM, Washer/Stem of 1.4581/1.4021, with notch lever

Kvs-value / Zeta-value		25	32	40	50	65	80	100	125	150	200	250	300	350	400	500	600
DN		25	32	40	50	65	80	100	125	150	200	250	300	350	400	500	600
Kvs-value	(m³/h)	20	24	41	98	190	302	550	930	1525	3000	5000	7300	10260	13140	20750	30430
Zeta-value	--	1,52	2,93	2,42	1,03	0,79	0,72	0,53	0,45	0,35	0,29	0,25	0,24	0,23	0,24	0,23	0,22



Difference between disc outside-diameter and face-to-face		25	32	40	50	65	80	100	125	150	200	250	300	350	400	500	600
DN		25	32	40	50	65	80	100	125	150	200	250	300	350	400	500	600
B	(mm)	--	--	5	5	11	18	25	36	48	71	91	112	132	147	188	224
D	(mm)	--	--	26	29	49	68	88	115	142	194	243	292	333	383	486	580

Actuator selection (Seat: EPDM / NBR-black / FPM)		(Seat NBR-white on request)													
DN		25-50	65	80	100	125	150	200	250	300	350	400	500	600	
Connection-Flange EN ISO 5211		F 05				F 07			F 10			F 14		F 16	
Double „D“ 2-flat SW		11 _{d11}				17 _{d11}			--			--		--	
4-square SW		--				--			22 _{d11}		27 _{d11}	36 _{d11}	46 _{d11}		
Manual actuation	Notch lever	I				II			--						
	Lock lever	I				II			--						
	Worm gear	SE07						SE10			SE12	M15			
Electric rotary actuator	ARI-OM (230V 50Hz)	OM-1		OM-A	OM-2	OM-3			--						
	Deufra (230V 50Hz)	OA3		OA6	OA8	OA15	AS25	AS50	BS100	AS200					
	Auma (400V 50Hz)	SQ05.2						SQ07.2	SQ10.2	SQ12.2		SA07.5 +VZ4.3 +SG 125.3			
Pneumatic rotary actuator	AIR TORQUE	double acting	DR30		DR60	DR100	DR150	DR220	DR450	DR600	DR1200	DR3000			
		single acting	Spring closes on air failure	30SC6	60SC6	100SC6	150SC6	220SC6	300SC6	450SC6	600SC6	1200SC6	2000SC6	3000SC6	on request
			Spring opens	30SO5	60SO5	100SO5	150SO5	220SO5	450SO5	900SO5	1200SO5	2000SO5			
	bar	double acting	GTD58/90		GTD68/90	GTD98/90		GTD110/90	GTD115/90	GTD143/90	GTD163/90	GTD210/90	GTD254/90		
		single acting	Spring closes on air failure	GTE68/90-12	GTE78/90-10	GTE88/90-10	GTE98/90-12	GTE110/90-12	GTE115/90-12	GTE127/90-12	GTE143/90-12	GTE210/90-10	GTE250/90-8		on request
			Spring opens	GTE68/90-8	GTE78/90-8	GTE88/90-8	GTE110/90-8	GTE115/90-6	GTE127/90-8	GTE143/90-8	GTE210/90-8	GTE250/90-6			