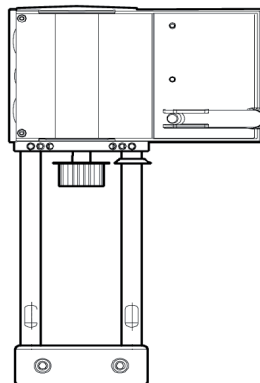


Electric thrust actuator FR 1.2
with safety reset

FR 1.2
Electric thrust actuator
with safety reset
on electrical power failure



Seite 2



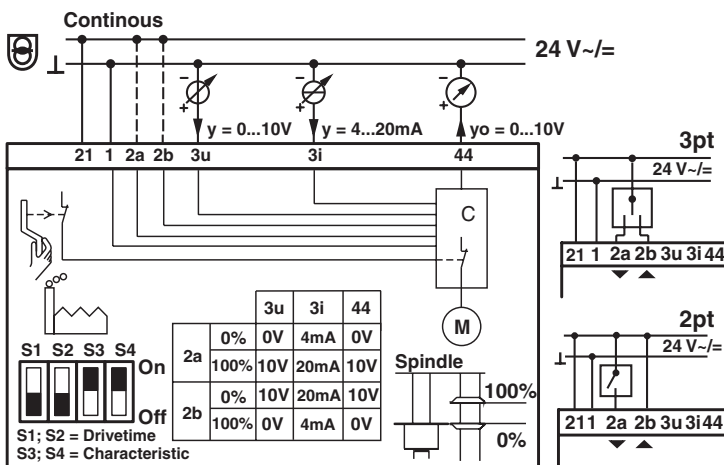
Features

- Safety reset on electrical power failure
- Universal technology with 2-point, 3-point or continuous 0-10V and 4-20mA activation with only one actuator type
- Characteristic adjustable (equal percentage, linear, quadratic)
- Operating time adjustable
- Operative ambient temperatures -10°C up to +55°C
- Enclosure IP 66
- Travel indicator
- Additional devices available
- Direction of closure: stem in outwards motion

Type		FR 1.2
Closing force	kN	2,0 kN (at travel 40 mm)
Travel	mm	max. 49 mm
Positioning speed	mm/s	0,17 / 0,25 / 0,50 mm/s
On power cut-out:		
Closure time	s	28 s (for travel 20 mm); 35 s (for travel 30 mm)
Direction of closure		
Extended stem on electrical power failure		
Manual adjustment		
with crank lever on the outside of the housing		
Operative amb. temperature	°C	-10°C up to +55°C
Permitted ambient humidity		
< 95% rF without condensation		
Installation position		
vertically righted to horizontally		
Enclosure (acc. to EN 60529)		
IP 66		
Protection class (acc. to EN 60730)		
III		
Response time at 3-point	ms	200 ms
Mains		
24V 50/60Hz 1~ +/- 20%		
24VDC +/- 15%		
230V 50/60Hz 1~ +/- 15%		
Position controller		
Control signal 1		
0 ... 10 V, Ri = 100 kOhm (not at 230V)		
Control signal 2		
4 ... 20 mA, Ri = 50 kOhm		
Position indicator		
0 ... 10 V, burden > 2,5 kOhm (not at 230V)		
Rated input in operation	VA	20 VA ¹⁾
Rated input in idleness	VA	7 VA
Electrical connection		
to internal terminal via (max. 2,5mm ²)		
3 break through-type cable lead throughs for M20x1,5 (2x) and M16x1,5		
Limit switch-off		
load depending		
Operating mode (acc. to VDE)		
24V 50/60Hz 1~, 24VDC S6-80% duty cycle		
230V 50/60Hz 1~, S6-50% duty cycle		
Weight	kg	6 kg

¹⁾ Transformers has to be designed for this value, to avoid malfunction

Wiring diagram

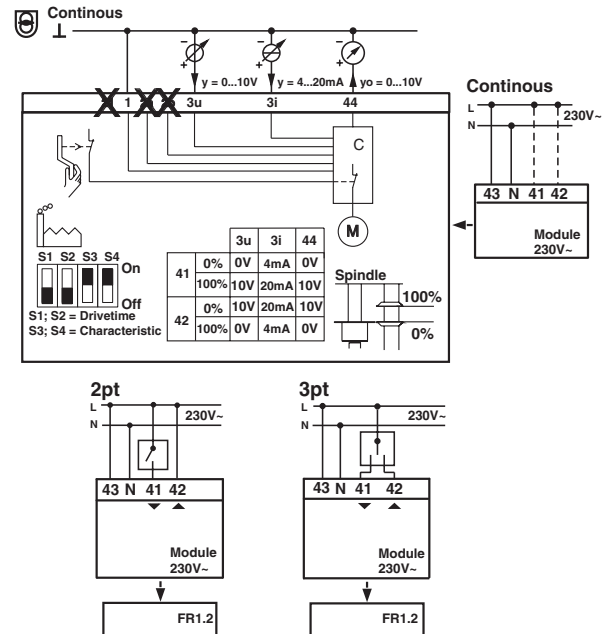


Additional accessories

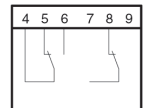
Plug-in module for 230V 50/60Hz (+/- 15%) supply tension and 3-point input signal, 0-10V and 4-20mA controlling, additional capacity 2VA (feedback signal only 0-10V, not 4-20mA)

2 auxiliary change over switches, continuously adjustable, add. load 5(2) A, 12...250V~, min. load 250 mA, 12V

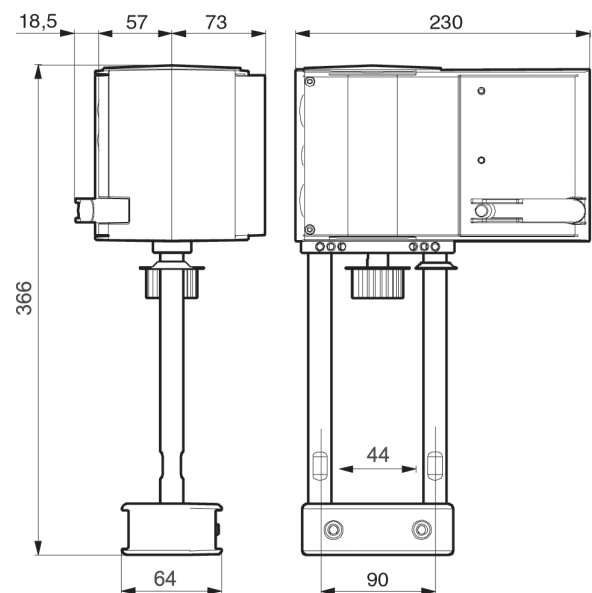
230V Module



Auxiliary change over switch



Dimensions



Technology for the Future.
GERMAN QUALITY VALVES

ARI-Armaturen Albert Richter GmbH & Co. KG, D-33756 Schloß Holte-Stukenbrock,

Tel. +49 52 07 / 994-0, Telefax +49 52 07 / 994-158 or 159 Internet: <http://www.ari-armaturen.com> E-mail: info.vertrieb@ari-armaturen.com