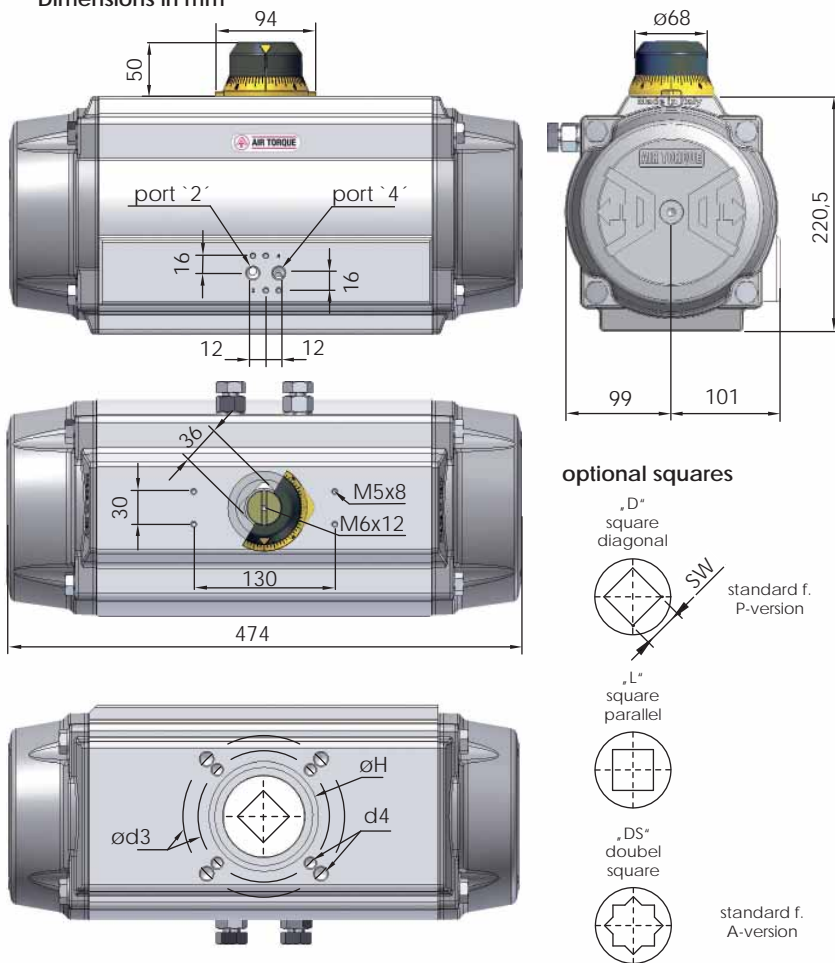




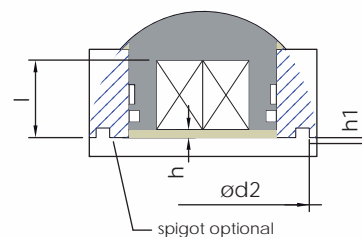
Dimensions in mm



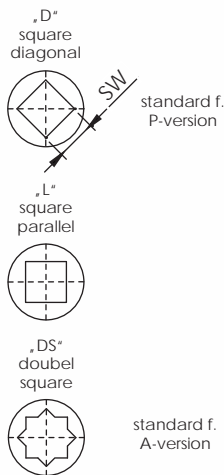
ISO 5211 - available flanges

ISO 5211	Standard	optional	
	F14	F10*+ F12*	
∅ d2	100	-	85
∅ d3	140	102	125
d4	M16 x 24	M10 x 15	M12 x 18
∅ H	100	70	
SW x l min.	D	22 x 39 - 36 x 39	
	DS	36 x 39	
h min.	2	2	2
h1	3	-	1,5

\*before selecting the flange connection please consider the indications of standard n° 5211 on page 0911 of our manual for op. and maintenance



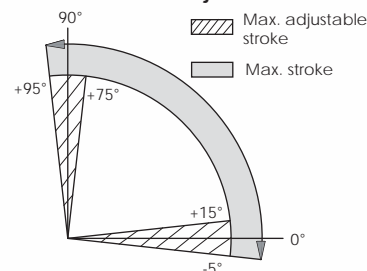
optional squares



Connection / Attachment

Pressure connection port 2 and 4	G1/4"
Ancillaries attachment	AA 4

Rotation and stroke adjustment



Pressure	Output torque for double acting and spring return in Nm												Spring torque	approx. weight in kg										
	2,5 bar		3 bar		3,5 bar		4 bar		4,2 bar		4,5 bar				5 bar		5,5 bar		6 bar		7 bar		8 bar	
	0°	90°	0°	90°	0°	90°	0°	90°	0°	90°	0°	90°			0°	90°	0°	90°	0°	90°	0°	90°	0°	90°
DR	383	459	536	613	643	689	766	842	919	1072	1225	-	24,3											

SC 2/3	225	146	301	223	378	299	455	376	485	406	531	452	608	529							237	158	27,8
SC 3	193	99	270	175	346	252	423	329	454	359	500	405	576	482	653	558					284	190	28,5
SC 3/4			238	128	315	205	391	281	422	312	468	358	544	434	621	511	698	587			332	221	29,2
SC 4					283	157	360	234	390	264	436	310	513	387	589	464	666	540	819	693	379	253	29,9
SC 4/5					328	186	359	217	405	263	481	340	558	416	634	493	788	646	941	799	426	285	30,6
SC 5									373	216	450	292	526	369	603	445	756	599	909	752	474	316	31,3
SC 5/6									418	245	495	321	571	398	672	551	877	704	1021	857	521	348	32
SC 6													463	274	540	351	693	504	846	657	568	379	32,7

Pressure max.	Rotation (STD) (C)	Screw stroke adjustment	Chamber (∅ mm)	Air volume (L)		Moving time (sec.) (A)	
				OPEN	CLOSE	OPEN	CLOSE
8 bar	0° - 90°	for 1° 1/4 rotation	180	4,26	6,89	D 2,0 S 2,4	D 2,2 S 2,8

Operating temperature (°C) (B)		
ST (Standard)	HT (High temperature)	LLT (Extreme low temperature)
- 40 to + 80	- 15 to + 150	- 55 to + 80

(A) the above indicated moving time of the actuator is obtained under the following test conditions: (1) room temperature, (2) actuator stroke 90°, (3) solenoid valve with ∅ 4 mm and flow capacity Qn 6000 L/min., (4) inside pipe ∅ 11 mm, (5) medium clean air, (6) air supply pressure 5,5 bar (79,75 Psi), (7) actuator without external resistance load. **Caution:** It has to be expected, e.g. for field applications, when one or more of the above parameters are different, the moving time will be different.

(B) Every temperature range option requires proper components and lubricant. Please contact Air Torque GmbH.

Operating Medium:

The operating medium must be free of dust and oil. The maximum particle size must not exceed 30µ. (ISO 8573 Part1, Class5). In order to prevent water condensation and/or solidification (ice when actuator works below 0°C), the operating medium must have a dew point equal to -20°C or at least 10°C below the ambient temperature (ISO 8573 Part1, Class3)