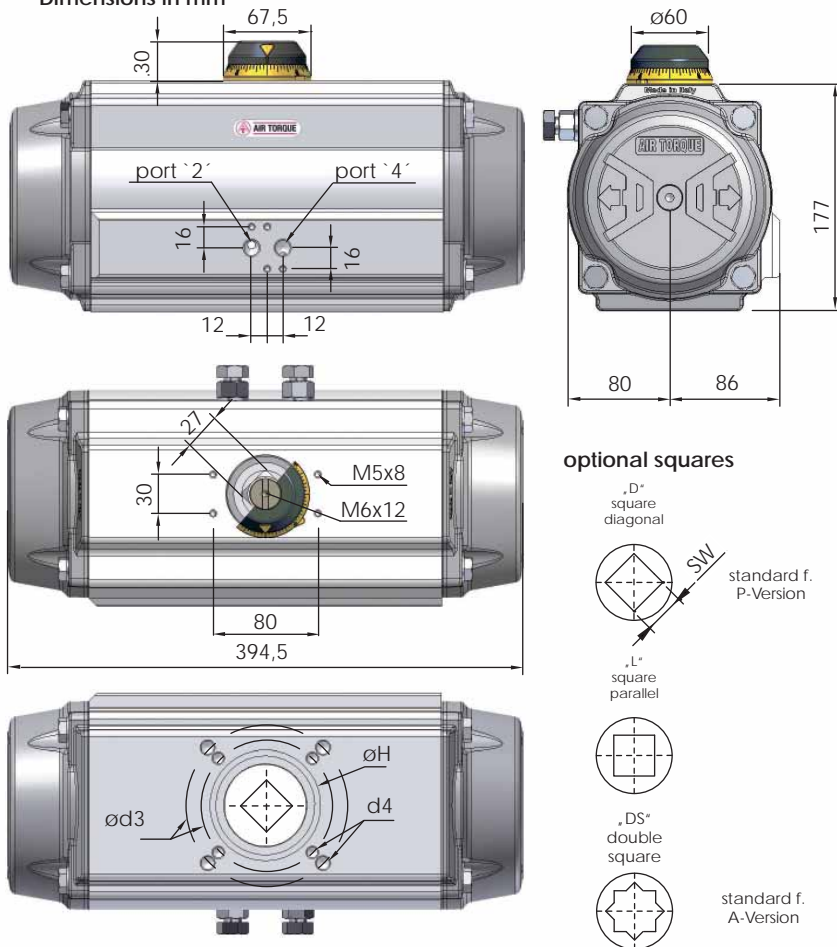




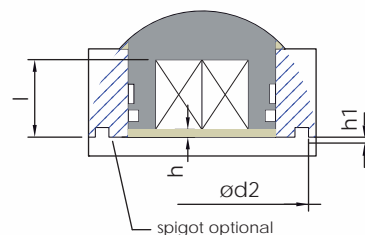
Dimensions in mm



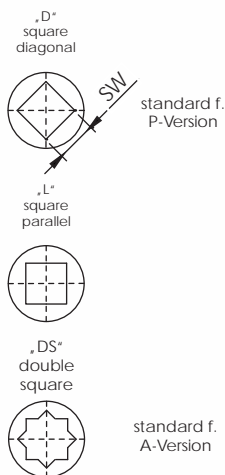
ISO 5211 - available flanges

ISO 5211	Standard		optional
	F10* + F12	F12	F12
Ø d2	70	-	85
d3	102	125	125
Ø d4	M10x15	M12x18	M12 x 18
Ø H	70	-	85
SW x l min.	D	-	22 x 34 - 27 x 29
	DS	27 x 39	27 x 39
h min.	1,5	1,5	1,5
h1	3	-	1,5

*before selecting the flange connection please consider the indications of standard n° 5211 on page 0911 of our manual for op. and maintenance



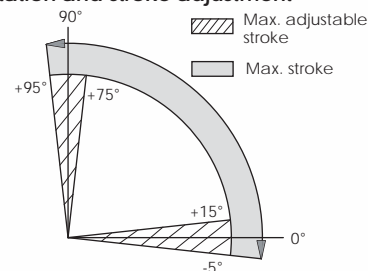
optional squares



Connection / Attachment

Pressure connection port 2 and 4	G1/4"
Ancillaries attachment	AA 2

Rotation and stroke adjustment



Pressure	Output torque for double acting and spring return in Nm												Spring torque	approx. weight in kg										
	2,5 bar		3 bar		3,5 bar		4 bar		4,2 bar		4,5 bar				5 bar		5,5 bar		6 bar		7 bar		8 bar	
	0°	90°	0°	90°	0°	90°	0°	90°	0°	90°	0°	90°			0°	90°	0°	90°	0°	90°	0°	90°	0°	90°
DR	217	261	304	348	365	391	435	478	522	609	696	-	14,2											

SC 2/3	135	88,6	179	132	222	176	265	219	283	236	309	262	352	306									129	82,4	15,4	
SC 3	119	62,8	162	106	206	150	249	193	266	211	293	237	336	280	379	324								155	99	15,6
SC 3/4			146	80,5	189	124	233	167	250	185	276	211	320	254	363	298	406	341						180	115	15,9
SC 4					173	98,2	216	142	233	159	260	185	303	229	347	272	390	316	477	403				206	132	16,1
SC 4/5							200	116	217	133	243	159	287	203	330	246	374	290	460	377	547	464		232	148	16,4
SC 5											227	134	270	177	314	221	357	264	444	351	531	438		258	165	16,6
SC 5/6													254	151	297	195	341	238	428	325	515	412		283	181	16,9
SC 6															281	169	324	213	411	299	498	386		309	198	17,1

Pressure max.	Rotation (STD) (C)	Screw stroke adjustment	Chamber (Ø mm)	Air volume (l)		Moving time (sec.) (A)	
				OPEN	CLOSE	OPEN	CLOSE
8 bar	0° - 90°	for 1° 1/4 rotation	145	2,41	3,78	D 1,2 S 1,5	D 1,4 S 1,8

Operating temperature (°C) (B)		
ST (Standard)	HT (High temperature)	LLT (Extreme low temperature)
- 40 to + 80	- 15 to + 150	- 55 to + 80

(A) the above indicated moving time of the actuator is obtained under the following test conditions: (1) room temperature, (2) actuator stroke 90°, (3) solenoid valve with Ø 4 mm and flow capacity Qn 400 L/min., (4) inside pipe Ø 8 mm, (5) medium clean air, (6) air supply pressure 5,5 bar (79,75 Psi), (7) actuator without external resistance load. **Caution:** It has to be expected, e.g. for field applications, when one or more of the above parameters are different, the moving time will be different.

Operating Medium:

The operating medium must be free of dust and oil. The maximum particle size must not exceed 30µ. (ISO 8573 Part1, Class5). In order to prevent water condensation and/or solidification (ice when actuator works below 0°C), the operating medium must have a dew point equal to -20°C or at least 10°C below the ambient temperature (ISO 8573 Part1, Class3)

(B) Every temperature range option requires proper components and lubricant. Please contact Air Torque GmbH.